

Hydrostatic Pump Repair

www.hydrostaticpumprepair.net

Phone: 800-361-0028

Email: sales@hydrostatic-transmission.com



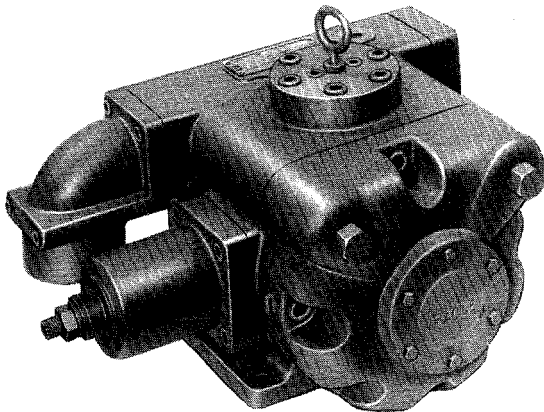
BOSCH

REPAIR PARTS

MODEL PVK

VARIABLE VOLUME VANE TYPE PUMP

FOOT MOUNTED



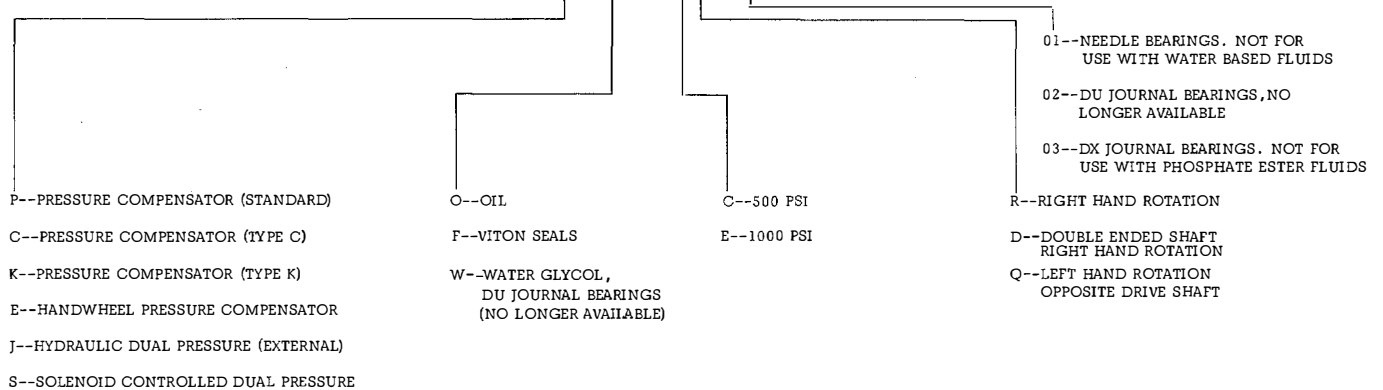
WHEN ORDERING PARTS, FURNISH:

1. COMPLETE CODE NUMBER
2. PARTS REQUIRED
3. SHIPPING INSTRUCTIONS

WRITE FACTORY FOR NEAREST AUTHORIZED
PARTS AND SERVICE CENTER.

PUMP CODING

PVK-PSFO-70ER-01



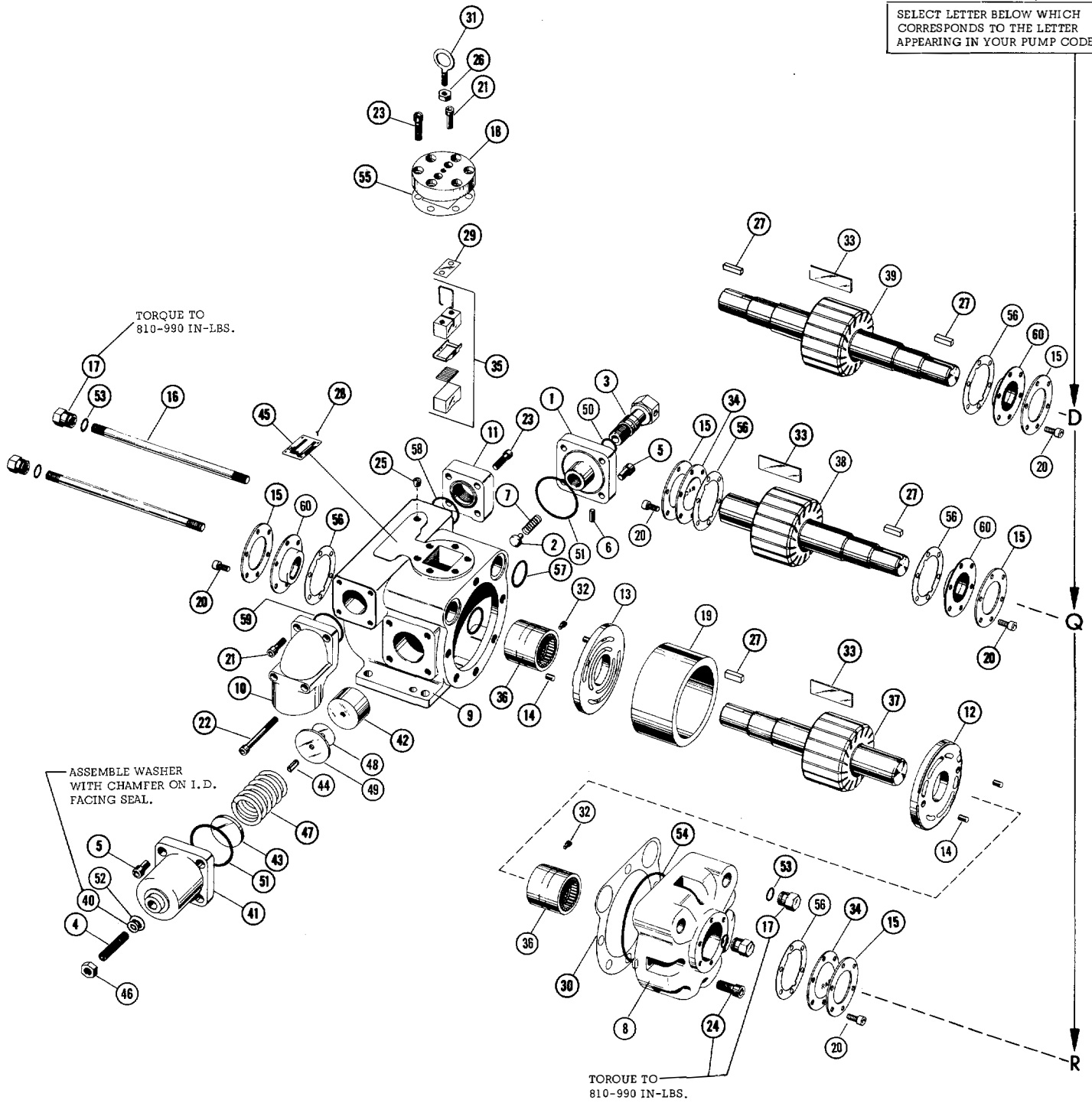
PVK-PSFO-70** - 01

ABOVE STANDARD COMPENSATOR
APPEARS ON THIS PAGE. FOR
ADDITIONAL COMPENSATORS
SEE OPTION PAGE.

C E R Q D

SEE MAIN PARTS LIST
FOR AVAILABLE SPRINGS
(REFERENCE #47)

SELECT LETTER BELOW WHICH
CORRESPONDS TO THE LETTER
APPEARING IN YOUR PUMP CODE.



| Ref. No. | Part No. | Description | Qty. |
|----------|----------|--|----------|
| 1 | 221215 | Cap | 1 |
| 2 | 301173 | Button | 1 |
| 3 | 305141 | Screw | 1 |
| 4 | 404908 | Screw | 1 |
| 5 | 400826 | Screw 1/2-13 x 1 | 8 |
| 6 | 400866 | Screw | 1 |
| 7 | 401524 | Spring | 1 |
| 8 | 220977 | Cover | 1 |
| 9 | 221650 | Body | 1 |
| 10 | 265048 | Flange | 1 |
| **10 | 265050 | Flange - Straight Inlet | 1 |
| 11 | 265049 | Flange | 1 |
| 12 | 777751 | Cover Port Plate | 1 |
| 13 | 777625 | Body Port Plate | 1 |
| 14 | 301142 | Pin | 4 |
| 15 | 403743 | Washer | 2 |
| 16 | 302703 | Stud | 2 |
| 17 | 302708 | Nut | 4 |
| 18 | 303490 | Cap | 1 |
| 19 | 305004 | Ring | 1 |
| 20 | 400682 | Screw 1/4-20 x 5/8 | 12 |
| 21 | 400808 | Screw 3/8-16 x 1 | 4 |
| 21 | 400809 | Screw 3/8-16 x 1-1/2 (Use with straight inlet flange) | 4 |
| 22 | 400819 | Screw 3/8-16 x 5 | 2 |
| 23 | 400825 | Screw 1/2-13 x 1-1/4 | 10 |
| 24 | 400837 | Screw 5/8-11 x 1-1/4 | 6 |
| 25 | 400928 | Plug 1/4 N. P. T. F. | 1 |
| 26 | 401024 | Nut 3/8-16 | 1 |
| 27 | 404405 | Key (2 Req'd on Double Ended Pump) | 2/1 |
| 28 | 401296 | Pin | 4 |
| 29 | 401819 | Shim .003" | As Req'd |
| 29 | 401820 | Shim .005" | As Req'd |
| 29 | 401821 | Shim .010" | As Req'd |

| Ref. No. | Part No. | Description | Qty. |
|----------|----------|-----------------------------|----------|
| 30 | 401822 | Shim .001" | As Req'd |
| 30 | 401823 | Shim .0015" | As Req'd |
| 30 | 401824 | Shim .002" | As Req'd |
| 30 | 401825 | Shim .003" | As Req'd |
| 31 | 401873 | Eyebolt | 1 |
| 32 | 404081 | Screw 1/4-28 x 1/4 | 2 |
| 33 | 778275 | Vanes (Set of 17) | 1 |
| 34 | 405987 | Cap | 1 |
| 35 | 777057 | Thrust Block | 1 |
| 36 | 794410 | Needle Bearing | 2 |
| 36 | 778536 | Journal Bearing - Body | 1 |
| 36 | 778537 | Journal Bearing - Cover | 1 |
| 37 | 305067 | Forging - RH Rotation | 1 |
| 38 | 305160 | Forging - LH Rotation | 1 |
| 39 | 305163 | Forging - Double Ended | 1 |
| 40 | 491405 | Washer | 1 |
| 41 | 220516 | Housing | 1 |
| 41 | 220518 | Housing (Use with K Spring) | 1 |
| 42 | 306615 | Piston | 1 |
| 43 | 400578 | Seat | 1 |
| 44 | 401724 | Roll Pin | 1 |
| 45 | 406778 | Nameplate | 1 |
| 46 | 401015 | Nut | 1 |
| 47 | 401590 | Spring - 1000 PSI | 1 |
| 47 | 405137 | Spring - 500 PSI | 1 |
| 47 | 401589 | Spring Type C | 1 |
| 47 | 402262 | Spring Type K | 1 |
| 48 | 404073 | Shim .002" | As Req'd |
| 48 | 404074 | Shim .003" | As Req'd |
| 48 | 405379 | Shim .005" | As Req'd |
| 49 | 404786 | Stop | 1 |

PUMP SHIM KIT #794284
THRUST BLOCK SHIM KIT #794281

**Special "O" Ring used with straight inlet flange: 1/8 x 2-7/8 OD
#401280 Buna N; #406573 Viton 1 piece required.

VITON SEAL KIT 722396

KIT CONSISTS OF -

| Ref. No. | Part No. | Description | Qty. |
|----------|----------|-------------------------------------|------|
| 40 | 491405 | Washer | 1 |
| 50 | 406267 | "O" Ring 1/8 x 1-1/4 OD | 1 |
| 51 | 406510 | "O" Ring 1/8 x 3-1/2 OD | 2 |
| 52 | 491404 | Thread Seal | 1 |
| 53 | 406198 | "O" Ring 1/8 x 1 OD | 4 |
| 54 | 406517 | "O" Ring 1/8 x 6-1/4 OD | 1 |
| 55 | 401845 | Gasket | 1 |
| 56 | 401846 | Gasket | 2 |
| 57 | 406769 | "O" Ring 1/8 x 2 OD | 2 |
| 58 | 406770 | "O" Ring 1/8 x 2-1/4 OD | 1 |
| 59 | 406771 | "O" Ring 1/8 x 2-1/2 OD | 1 |
| 59 | 406573 | "O" Ring for Straight Inlet | 1 |
| 60 | 404227 | Seal (2 Req'd on Double Ended Pump) | 1 |

USED WITH SYNTHETIC (PHOSPHATE ESTER AND HALOGENATED BASE), MINERAL AND WATER BASED FLUIDS.

* REPAIR PARTS KITS

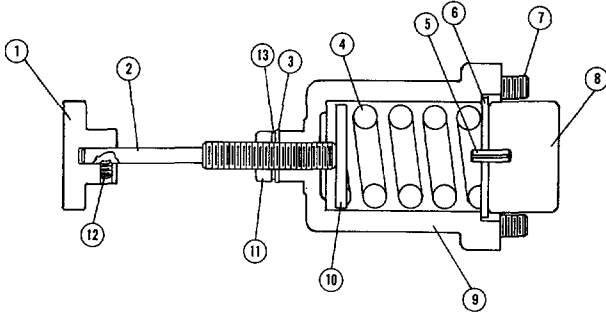
NEEDLE BEARINGS JOURNAL BEARINGS

SINGLE SHAFT-RIGHT HAND ROTATION-VITON SEALS----- No. 722491 -----723406
SINGLE SHAFT-LEFT HAND ROTATION-VITON SEALS----- No. 722493 -----723407
DOUBLE ENDED SHAFT-VITON SEALS----- No. 722765 -----723409

*Each kit contains the following parts:
One pressure ring, one set vanes, all shims, one body port plate, one cover port plate, two bearings, one thrust block assembly, one shaft and rotor, and one seal kit.

OPTIONS

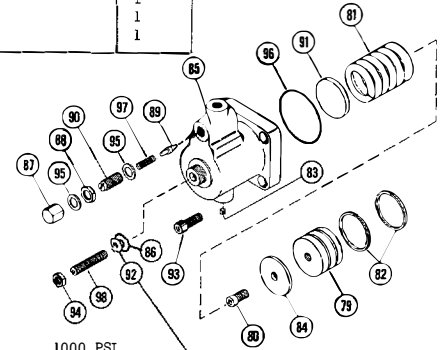
HANDWHEEL PRESSURE COMPENSATOR



| Ref. No. | Part No. | Description | Qty. |
|----------|----------|--------------------|------|
| 1 | 404784 | Handwheel | 1 |
| 2 | 308600 | Stem | 1 |
| 3 | 491372 | Washer | 1 |
| 4 | 401590 | Spring | 1 |
| 5 | 401724 | Roll Pin | 1 |
| 6 | 404786 | Stop | 1 |
| 7 | 400826 | Screw 1/2-13 x 1 | 4 |
| 8 | 306615 | Piston | 1 |
| 9 | 220516 | Housing | 1 |
| 10 | 400570 | Spring Seat | 1 |
| 11 | 401015 | Stem Cap | 1 |
| 12 | 400854 | Screw 1/4-20 x 3/8 | 1 |
| 13 | *491405 | Washer | 1 |
| 14 | 401281 | O-Ring 1/8 x 3-1/2 | 1 |
| 14 | 406510 | O-Ring - Viton | 1 |

HYDRAULIC DUAL PRESSURE COMPENSATOR

| Ref. No. | Part No. | Description | Qty. |
|----------|----------|---------------------|------|
| 79 | 306614 | Piston | 1 |
| 80 | 405857 | Screw 5/16-18 x 5/8 | 1 |
| 81 | 401590 | Spring | 1 |
| *82 | 403250 | Ring | 2 |
| 83 | 405420 | Plug 1/16 NPTF | 1 |
| 84 | 404786 | Stop | 1 |
| 85 | 220031 | Housing | 1 |
| 86 | 491498 | Thread Seal Buna | 1 |
| *86 | 491499 | Thread Seal Viton | 1 |
| 87 | 301161 | Cap | 1 |
| 88 | 301162 | Nut | 1 |
| 89 | 305873 | Poppet | 1 |
| 90 | 305963 | Screw | 1 |
| 91 | 400578 | Seat | 1 |



COMPLETE ASSEMBLY

| Seals | 500 PSI | 1000 PSI |
|-------|---------|----------|
| Buna | 722107 | 721243 |
| Viton | | 722043 |

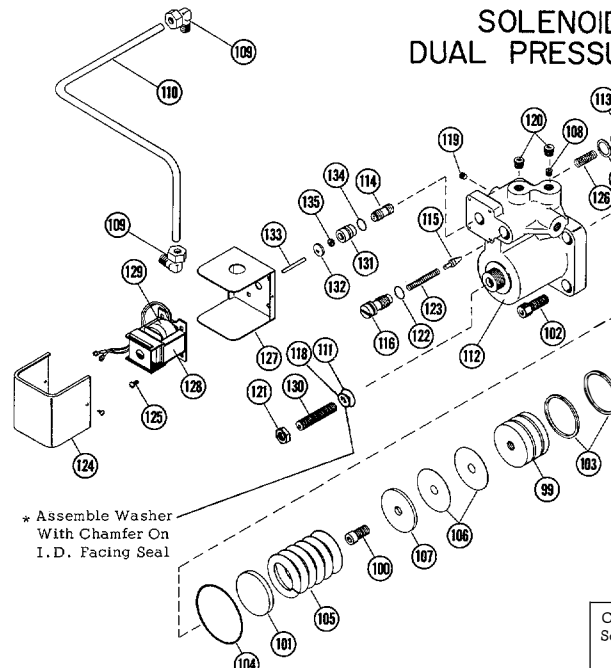
ASSEMBLE WASHER WITH CHAMFER ON I. D. FACING SEAL.

| Ref. No. | Part No. | Description | Qty. |
|----------|----------|-------------------------|------|
| * 92 | 491500 | Washer | 1 |
| 93 | 400826 | Screw 1/2 - 13 X 1 | 4 |
| 94 | 401013 | Nut 1/2 - 20 | 1 |
| * 95 | 401083 | Gasket | 2 |
| 96 | 401281 | "O" Ring 1/8 X 3-1/2 OD | 1 |
| 96 | 406510 | "O" Ring (Viton) | 1 |
| 97 | 401489 | Spring | 1 |
| 98 | 403476 | Screw 1/2 - 20 X 2-1/2 | 1 |

*Included In Viton Kit 723667

| Ref. No. | Part No. | Description | Qty. |
|----------|----------|--------------------------|----------|
| 99 | 306614 | Piston | 1 |
| 100 | 405857 | Screw 5/16-18 x 1/2 | 1 |
| 101 | 400578 | Seat | 1 |
| 102 | 400826 | Screw 1/2-13 x 1 | 4 |
| *103 | 403250 | Piston Ring | 2 |
| 104 | 401281 | "O" Ring 1/8 x 3-1/2 OD | 1 |
| 104 | 406510 | "O" Ring (Viton) | 1 |
| 105 | 401590 | Spring | 1 |
| 106 | 404073 | Shim .002" | As Req'd |
| 106 | 404074 | Shim .003" | As Req'd |
| 107 | 404786 | Stop | 1 |
| 108 | 405420 | Orifice Plug .040" | 1 |
| 109 | 401751 | Elbow | 2 |
| 110 | 306626 | Tubing | 1 |
| *111 | 491499 | Viton Seal | 1 |
| 111 | 491498 | Thread Seal | 1 |
| 112 | 220718 | Housing | 1 |
| 113 | 302310 | Seat | 1 |
| 114 | 304439 | Piston | 1 |
| 115 | 305873 | Poppet | 1 |
| 116 | 306647 | Screw | 1 |
| *117 | 400247 | Gasket | 1 |
| *118 | 491500 | Washer | 1 |
| 119 | 400925 | Plug 1/16 N.P.T.F. | 1 |
| 120 | 400928 | Plug 1/4 N.P.T.F. | 2 |
| 121 | 401013 | Nut 1/2-20 | 1 |
| 122 | 401271 | "O" Ring 3/32 x 3/4 OD | 1 |
| 122 | 406518 | "O" Ring (Viton) | 1 |
| 123 | 401489 | Spring | 1 |
| 124 | 401800 | Cover | 1 |
| 125 | 402208 | Screw #10-32 x 1/2 | 4 |
| 126 | 405445 | Spring | 1 |
| 127 | 402663 | Base | 1 |
| 128 | Table #1 | Solenoid | 1 |
| 129 | Table #1 | Coil | 1 |
| 130 | 403476 | Screw 1/2-20 x 2-1/2 | 1 |
| 131 | 304639 | Guide | 1 |
| 132 | 304640 | Retainer | 1 |
| 133 | 304641 | Pin | 1 |
| 134 | 401277 | "O" Ring 3/32 x 11/16 OD | 1 |
| 134 | 406478 | "O" Ring (Viton) | 1 |
| 135 | 402917 | Seal | 1 |
| 135 | 406092 | Seal (Viton) | 1 |

SOLENOID CONTROLLED DUAL PRESSURE COMPENSATOR



* Assemble Washer With Chamfer On I. D. Facing Seal

*Included In Viton Seal Kit 723666

COMPLETE ASSEMBLY

| Seals | 500 PSI | 1000 PSI |
|-------|---------|----------|
| Buna | 722373 | 721246 |
| Viton | 721693 | 721693 |

Table #1
AC Solenoids

| Complete Solenoid (128) | Coil Only (129) | AC Voltage |
|-------------------------|-----------------|------------|
| 400991 | 401662 | 115/60 |
| 400992 | 401663 | 230/60 |
| 400993 | 401664 | 440/60 |
| 403158 | 403772 | 115/50 |
| 402953 | 403975 | 220/50 |
| 406030 | 404711 | 440/50 |
| 491650 | 490698 | 110/50 |
| | | 120/60* |

DC Solenoids

| Complete Solenoid (128) | Coil Only (129) | DC Voltage |
|-------------------------|-----------------|------------|
| 403223 | | 12 |
| 402570 | | 24 |
| 403006 | | 125 |
| 402448 | 403479 | 250 |

*(3 Wire)

9 535 233 258
HPUS RSB 003/32 US (4.95)

ROBERT BOSCH FLUID POWER CORPORATION
P.O. BOX 2025
RACINE, WISCONSIN 53401-2025 U.S.A.
Phone (414)554-7100, Fax (414)554-7117



BOSCH